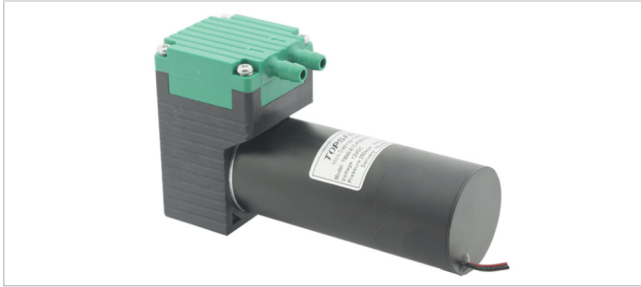


TM40A-E

Micro Diaphragm Pump

TM40A-E



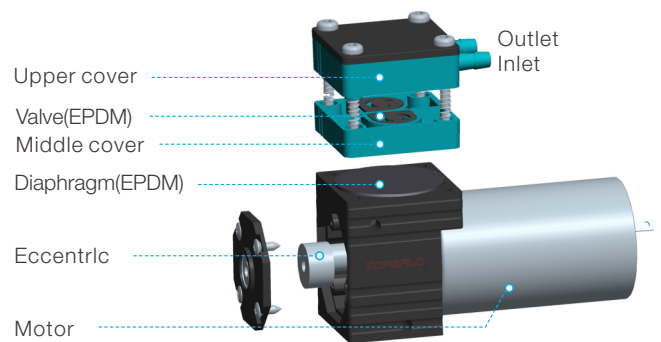
Typical Applications

- Industrial pressure and vacuum applications
- Medical technology
- Inkjet printing
- Laboratory technology
- Analytical engineering
- Cleaning industry

Features

- Highest performance/size ratio
- Low noise and vibration
- Lasts reliably longer
- Compact and robust design
- Uncontaminated transfer
- High level of gas tightness
- Extreme chemical resistance
- Customizing available
- Can operate in any installed position

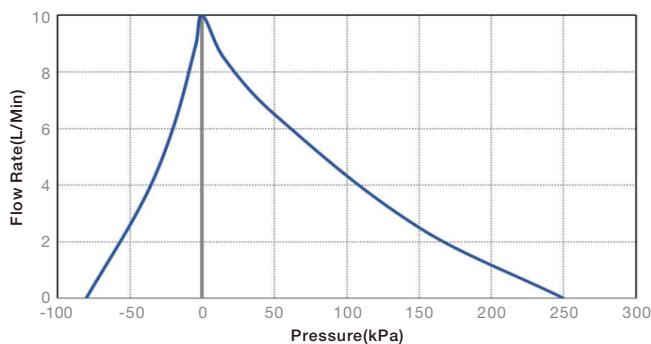
Structure



Specification

Model	Pressure Pump (Item Number)	Vacuum Pump (Item Number)	Rated Voltage (VDC)	No-load Current (A)	Max Pressure (Kpa)	Max Vacuum (Kpa)	Max Flow (L/min)	Motor Type	Lifetime (Hours)
TM40A-E	TM40A-E12-P25010	TM40A-E12-V8010	12	0.6	250	-80	10	Brushless Motor	15,000
	TM40A-E24-P25010	TM40A-E24-V8010	24	0.6	250	-80	10	Brushless Motor	15,000

Curve



Dimension (mm)

