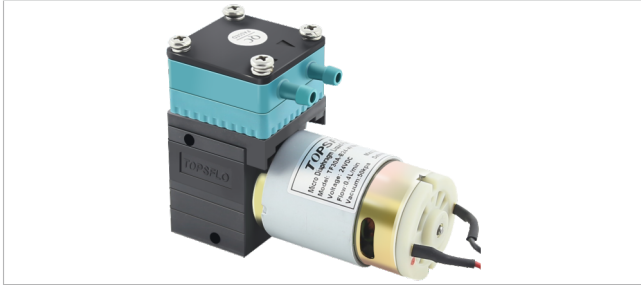


TF30A-B

Micro Diaphragm Pump

TF30A-B



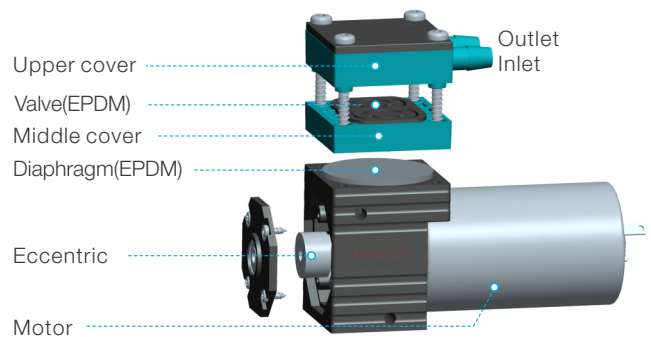
Typical Applications

- Analytical instruments
- Semi-conductors
- Medical equipment
- Lab equipment
- Food & beverage industry
- Cleaning industry
- Medical water cooling

Features

- Self priming function is available
- Dry running is acceptable
- Food grade type can be customized

Structure



Specification

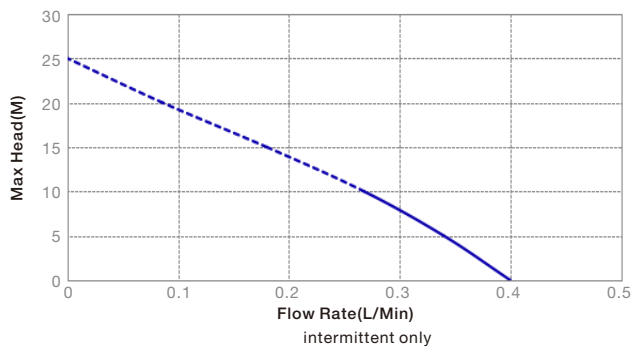
Model	Pressure Pump (Item Number)	Rated Voltage (VDC)	No Load Current (A)	OD [/ RD G & XU UH QW (A)	Q _D [+ H D G (M)	Max Flow (L/min)	Motor Type	Lifetime (Hours)
TF30A-B	TF30A-B12-W1004	12	0.7	1	10	0.4	Brush Motor	1,000
	TF30A-B24-W1004	24	0.3	0.5	10	0.4	Brush Motor	1,000

Application Conditions:

- Medium temperature: 5°C~60°C

- Ambient temperature: -20°C~60°C

Curve



Dimension (mm)

