

TMD40A-F



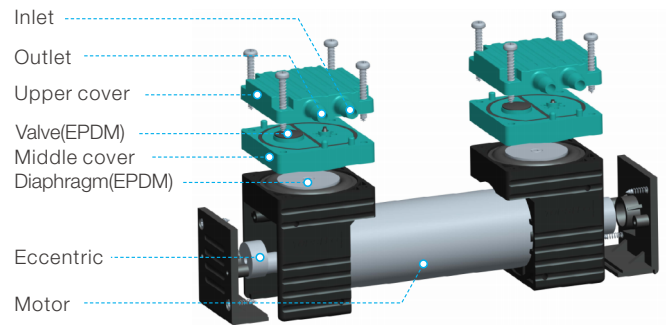
### Typical Applications

- Industrial pressure and vacuum applications
- Medical technology
- Inkjet printing
- Laboratory technology
- Analytical engineering
- Cleaning industry

### Features

- Highest performance/size ratio
- Low noise and vibration
- Lasts reliably longer
- Compact and robust design
- Uncontaminated transfer
- High level of gas tightness
- Extreme chemical resistance
- Customizing available
- Can operate in any installed position

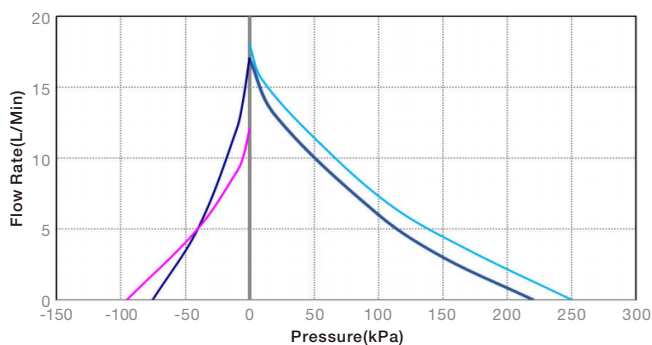
### Structure



### Specification

Model	Pressure Pump (Item Number)	Vacuum Pump (Item Number)	Rated Voltage (VDC)	No-load Current (A)	Max Pressure (Kpa)	Max Vacuum (Kpa)	Max Flow (L/min)	Motor Type	Lifetime (Hours)
TMD40A-F	TMD40A-F12-P22017 (outside controller) in parallel double outputs		12 / 24	1.8	220		17	Brushless Motor	15,000
		TMD40A-F12-V7517 (outside controller) in parallel double outputs	12 / 24	1.8	250	-75	17	Brushless Motor	15,000
		TMD40A-F12-V9512 (outside controller) in series single output	12 / 24	1.8	250	-95	12	Brushless Motor	15,000

### Curve



### Dimension (mm)

